



**IPC Integrated Professional Cleaning**

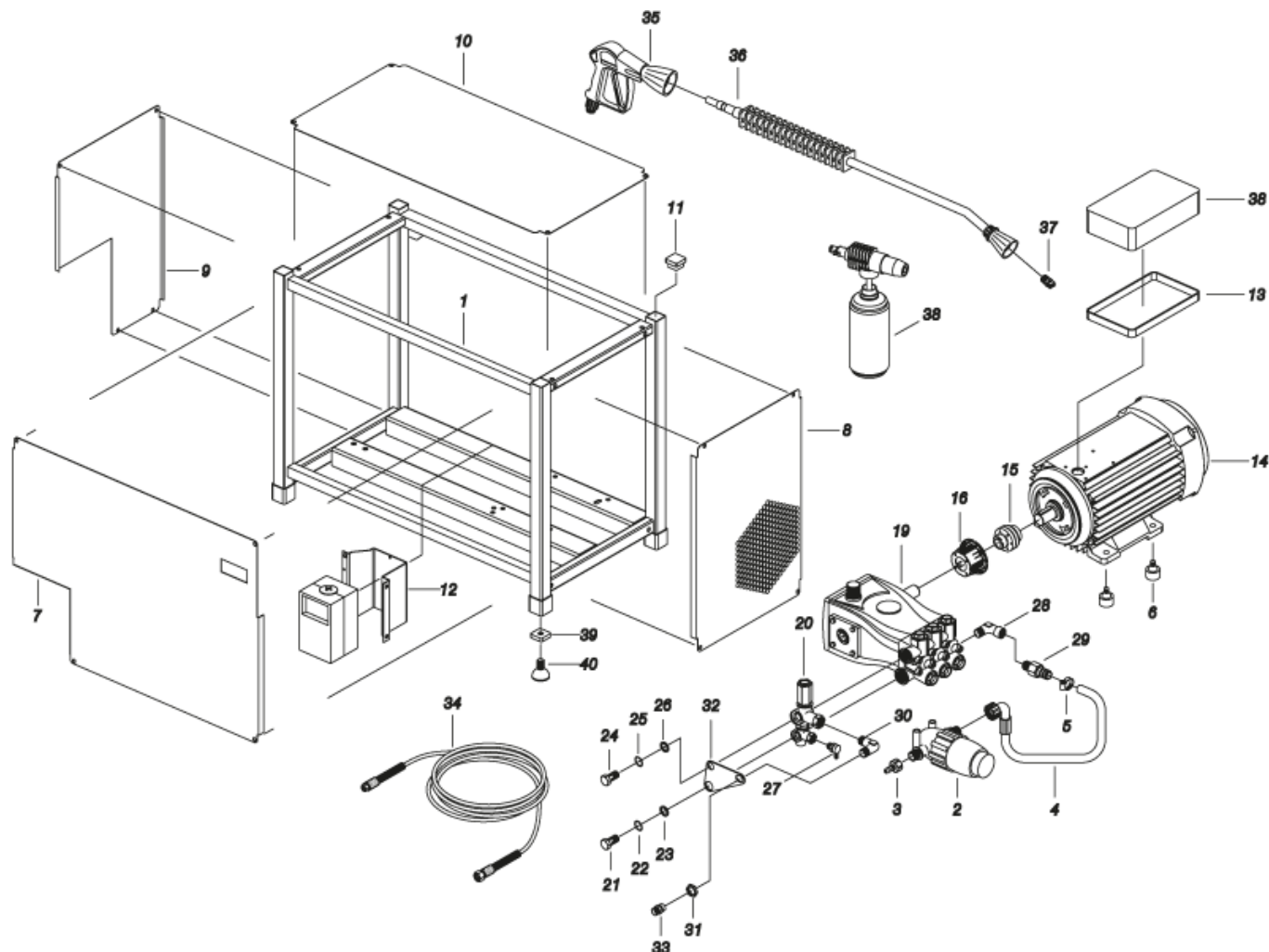
**IPC** Portotecnica

## Spare Parts List

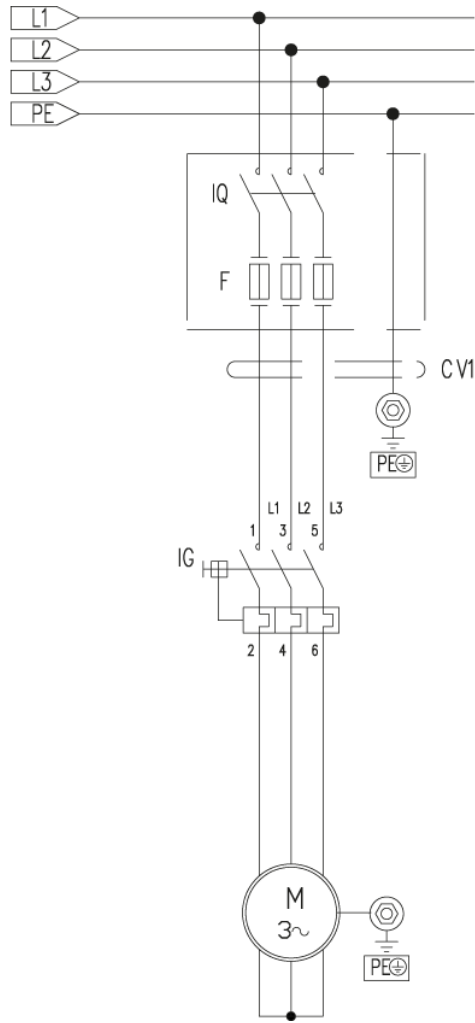
MEDIACOM

Ref: IDAF40461

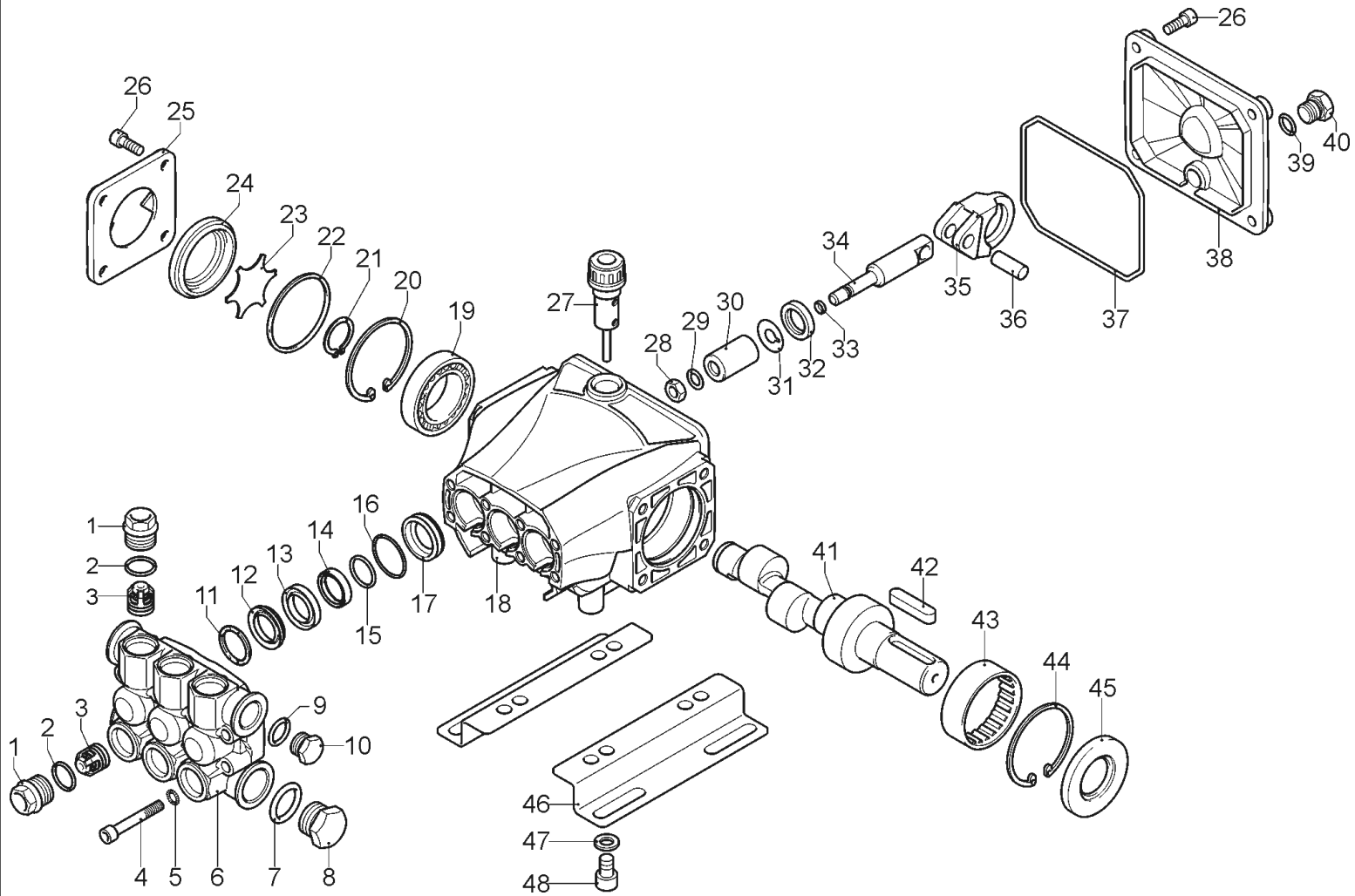
Model: IDROP MUR. ML.C 2860 T 400/50 3-01PRS



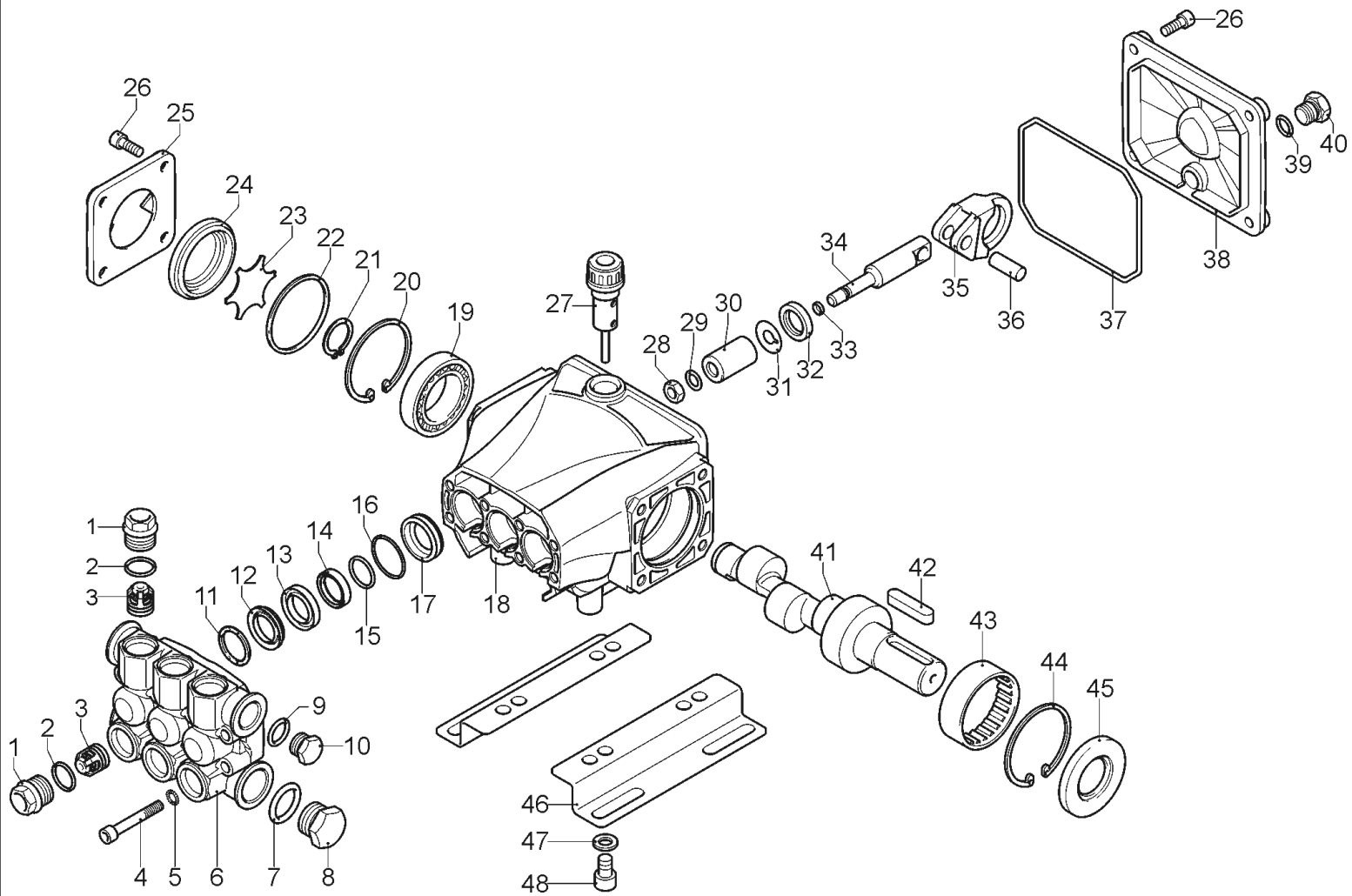
Ref.	K	Part N.	Customer Part N.	Description	Qty	Validity:		Price
						From	To	
0001		LAFN40426		FRAME MURALE ML.C	1,00	07/2012		--
0002		FTAC40010		WATER FILTER 3/4 MM 100MS ARG	1,00			--
0003		RCVR29600		SOCKET PTC 3/4 F	1,00			--
0004		TBBP40043		L.P. HOSE L=320 3/4F 90° -LIB.	1,00			--
0005		FSVR00431		CLAMP D. 16-25	1,00			--
0006		ABGO13580		VIBRATION DAMP.30X20- 2M8X23 -60+5SH	4,00			--
0007		LAFN40507		ANT. PANEL MURALE ML.C RD.	1,00			--
0008		LAFN40509		LAT. PANEL MURALE ML.C RD.	1,00			--
0009		LAFN40511		LAT. PANEL MURALE ML.C SX RD.	1,00			--
0010		LAFN40512		PANEL SUP. MODULO MUR.ML.C RD.	1,00			--
0011		MPVR06292		CARRYNG BAG	4,00			--
0012		LAFN40447		PLATE FISS. Q.EL. x MUR.ML.C	1,00			--
0013		GUGO10881		GASKET M.EL. 73X73	1,00	08/2012		--
0013		GUGO41631		GASKET GR 80 -MEC 80/112	2,00		07/2012	--
0014		MOTR40035		3PH MOTOR P237 HP 6 400-504P H1-R	1,00			--
0015		VTVR45821		KEY 8X 7X22 UNI 6604	1,00			--
0015		FGGT46926		HALF COUPLING W1	1,00			--
0016		MFVR44328		COUNTERFLANGE H100 P176	1,00			--
0019		PPAP40039		PUMP RC 14.16 DX N	1,00			--
0020		VVAZ40017		VALVE MV 625 AR-R AF S/I.RG.	1,00			--
0020		VVAZ40031		VALVE VRF-2 AR-R AF S/I.	1,00	01/2013		--
0020		PVVR40273		ADAPTER VRF-2 RG.	1,00	01/2013		--
0021		RCDS40103		SCREW G 1/2 L=50 INX	1,00			--
0022		GUGO02259		O-RING D. 15.54 X 2.62 NBR 70SH	1,00			--
0024		RCDS40104		SCREW G 3/8 L=50 INX	1,00			--
0025		GUGO03510		O-RING D. 12.37 X 2.62 NBR 70SH	1,00			--
0027		VVSC40550		VALVE 1/2" 56°C	1,00			--
0028		RCVR00575		ELBOW 1/2" M/F A10	1,00			--
0029		RCVR40039		HOSE FITTING 1/2 M.D.12-16 NIK	1,00			--
0030		RCVR40590		ELBOW 3/8" M A.P. OT.MTM	1,00			--
0031		RCDS40105		CARRYNG BAG	1,00			--
0032		LAFN40434		BRACKET VALV.AZZERAM. ML.C. INOX	1,00			--
0033		RCDS72894		CONNECTOR M22x1,5-3/8"	1,00			--
0036		LCLC40004		LANCE SF-IX/PU 700 +AR3-K +1/4F	1,00			--
0037		UGLN49987		NOZZLE LECH 1/4 15045	1,00			--
0038		MEVR62051		BASE COVER MEC 80/112 NYL.	1,00			--
0039		VTVR40018		PIN NDX.Q-30x1,5-M8	4,00	07/2012		--
0040		VTVR40043		FOOT D.40 M8X40 SND.	4,00			--



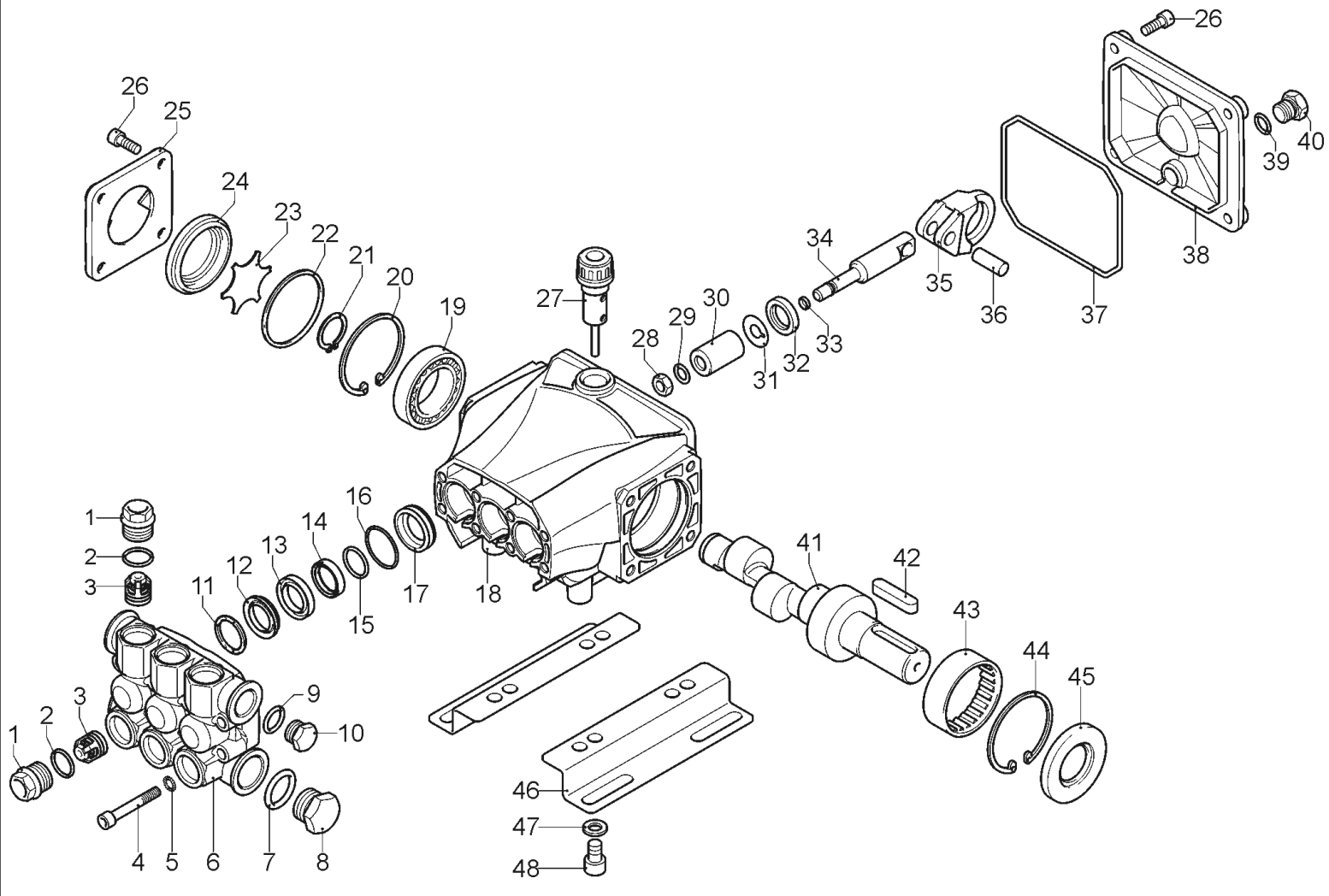
Ref.	K	Part N.	Customer Part N.	Description	Qty	Validity:		Price
						From	To	
IG		MECI71645		SWITCH WMX MS 25 10-16 A	1,00			--
CV1		MECB40182		CABLE H07 RNF 4X1.5 L=6.500	1,00			--



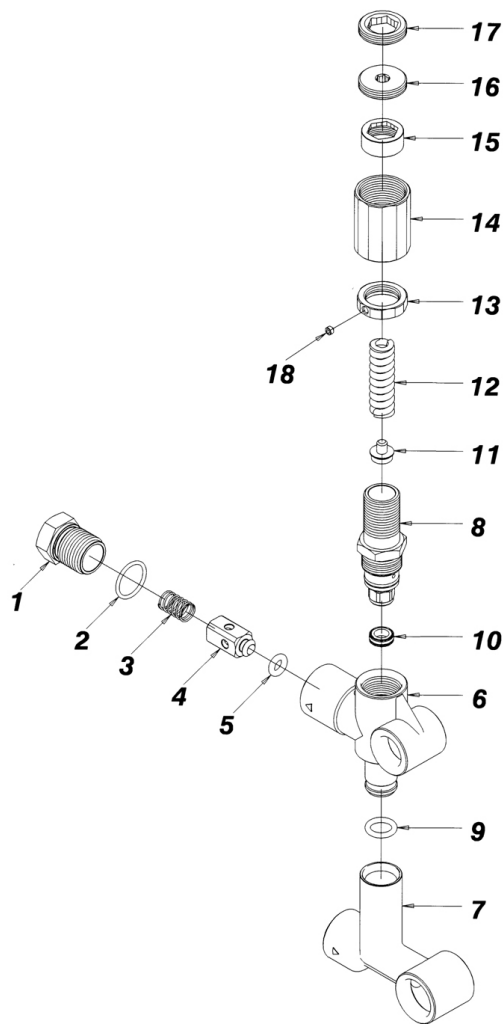
Ref.	K	Part N.	Customer Part N.	Description	Qty	Validity:		Price
						From	To	
0001		PVVR40120		CAP AR RC	6,00			--
0002		GUGO03505		O-RING D. 15.6 X 1.78 NBR 70SH	6,00			--
0003	S	VVAM40002		VALVE UNIT RC	3,00	08/2012		--
0003	S	VVAM40002		VALVE UNIT RC	6,00		07/2012	--
0003	S	VVAM40007		VALVE UNIT RC ASP. BK	3,00	08/2012		--
0004		VTVT01531		SCREW TE 6X 16 UNI 5739	8,00			--
0005		VTRS00503		WASHER D. 6 TE UNI 6798	8,00			--
0006		MFVR40019		HEAD AR RC OT.	1,00			--
0007		GUGO19245		O-RING D. 17.5 X 2 NBR 70SH	1,00			--
0008		PVVR40121		CAP 1/2 M RC	1,00			--
0009		GUGO09720		O-RING D. 14 X 1.78 NBR 70SH	1,00			--
0010		PVVR40099		CAP 3/8 M HRM	1,00			--
0011	S	PVVR40122		HEAD RING D. 18 RC	3,00			--
0012	S	GUVR40035		PACKING D. 18 RC H.P.	3,00			--
0013		PVVR40123		INTERMED. RING D. 18 RC	3,00			--
0014	S	GUVR40036		PACKING D. 18 RC L.P.	3,00			--
0015	S	GUVR40037		ANTI-EXTR. RING D.20	3,00			--
0016	S	GUGO19290		O-RING D. 23.52 X 1.78 NBR 70SH	3,00			--
0017		PVVR40124		PACKING RETAIN.D. 18 RC	3,00			--
0018		MFVR40020		PUMP CRANKCASE AR RC	1,00			--
0019		CUVR28336		BALL BEARING 6304	1,00			--
0020		VTAE32478		CIRCLIP D. 32 UNI 7437	1,00			--
0021		VTAE06193		CIRCLIP D. 20 UNI 7435	1,00			--
0022		GUGO02561		O-RING D. 47.5 X 2.62 NBR 70SH	1,00			--
0023		PVVR40125		DISC RC	1,00			--
0024		PVVR40126		OIL INDICATOR RC	1,00			--
0025		MFVR40021		CRANKCASE COVER AR RC LT.	1,00			--
0026		VTVT01531		SCREW TE 6X 16 UNI 5739	8,00			--
0027		PVVR19231		OIL CAP XTS	1,00			--
0028		VTDD00483		NUT M 8 ZIN UNI 5588	3,00			--
0029		VTRS19394		WASHER D. 8X13X0.5	3,00			--
0030	S	PIVR40005		PISTON D.18X30 RC	3,00			--
0031		PVVR19233		DISC XTS	3,00			--
0032	S	GUGO09690		OIL SEAL 15X 24X 5 NBR70	3,00			--
0033		GUGO08071		O-RING D. 4.48 X 1.78 NBR 70SH	3,00			--
0034		PVVR40127		PISTON GUIDE RC	3,00			--
0035		BLVR40001		CONNECTING ROD RC	3,00			--
0036		PVVR40128		GUDGEON D. 9X23 RC	3,00			--
0037		GUGO18695		O-RING D. 101.27 X 2.62 NBR 70SH	1,00			--



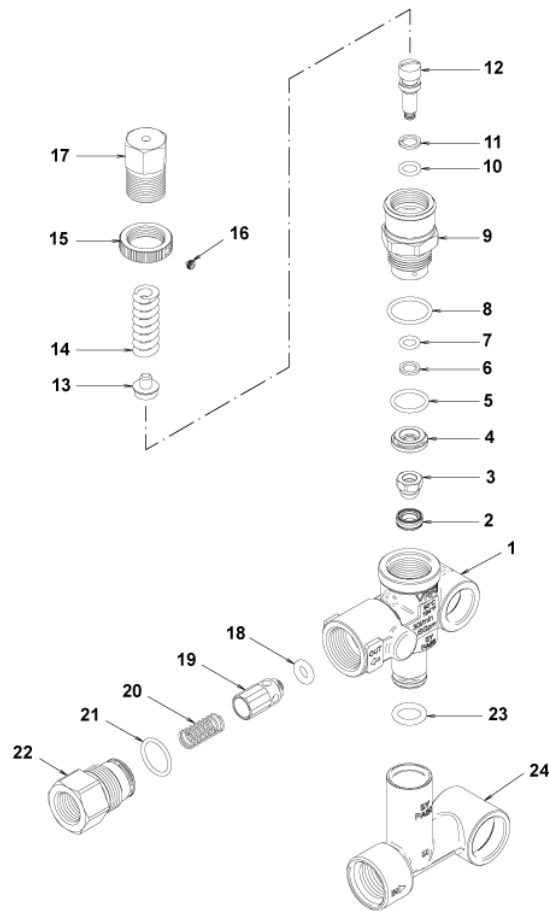
Ref.	K	Part N.	Customer Part N.	Description	Qty	Validity:		Price
						From	To	
0038		MFVR40022		CRANKCASE COVER AR RC	1,00			--
0039		GUGO01036		O-RING D. 10.82 X 1.78 NBR 70SH	1,00			--
0040		PVVR40129		CAP 3/8 M RC	1,00			--
0041		ALMO40006		SHAFT AR RC 14LT VRS. N	1,00			--
0042		VTVR41531		KEY 8X 7X35 UNI 6604A	1,00			--
0043		CUVR23636		ROLLER BEARING HK 4516	1,00			--
0044		VTAE06193		CIRCLIP D. 20 UNI 7435	1,00			--
0045	S	GUGO00999		OIL SEAL 25X 52X 7 NBR70	1,00			--



Ref. Part N.	Cust. Part N.	Description	Reference	Price
KTRI40092		KIT P 15-2186 RC	0003	--
KTRI40093		KIT P 15-42467 RC	0030	--
KTRI40094		KIT P 15-42464 D.18 RC	0012 0014 0015 0016	--
KTRI40095		KIT P 15-2745 D.18 RC	0011	--
KTRI40096		KIT P 15-42468 RC	0032 0045	--
KTRI40207		KIT P 15-41341 RC 3+3 BL./WH.	0003 0003	--

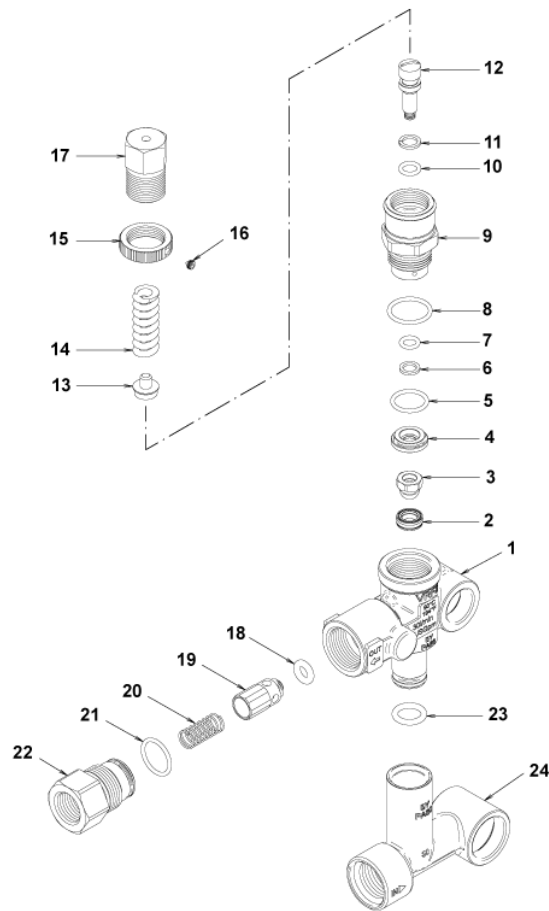


Ref.	K	Part N.	Customer Part N.	Description	Qty	Validity:		Price
						From	To	
0001		PVVR47977		CONNECTOR MV625 G 3/8F	1,00			--
0002		GUGO01058		O-RING D. 17.17 X 1.78 NBR 70SH	1,00			--
0003		MLML47978		SPRING MV 625	1,00			--
0004		PVVR47979		PIN MV 625	1,00			--
0005		GUGO46053		O-RING D. 6 X 3 NBR 90SH	1,00			--
0006		PVVR47980		VALVE BODY MV 625	1,00			--
0007		PVVR40271		CONNECTOR MV 625-RR	1,00			--
0008		PVVR47988		CONNECTOR MV 625 REG.	1,00			--
0009		GUGO11225		O-RING D. 10.78 X 2.62 NBR 70SH	1,00			--
0010		PVVR47985		VALVE SEAT MV 625 + O-RING	1,00			--
0011		PVVR47986		SPRING PLATE MV 625	1,00			--
0012		MLML47987		SPRING D. 3.25X41.1 MV 625	1,00			--
0013		PVVR47984		RING NUT MV 625	1,00			--
0014		PVVR47989		CAP MV 625 REG.	1,00			--
0015		PVVR47990		RING NUT MV 625 REG.	1,00			--
0016		PVVR47991		REGISTER MV 625 REG.	1,00			--
0017		PVVR47992		CLAMP MV 625 REG.	1,00			--
0018		VTVT24918		SCREW EI-ST 4X 4 UNI5927	1,00			--
9999		RCDS40134		SCREW 1/4 MV165 84 OT	1,00			--
9999		RCDS40135		SCREW 3/8 MV165 71 OT	1,00			--



Ref.	K	Part N.	Customer Part N.	Description	Qty	Validity:		Price
						From	To	
0001		PVVR40362		VALVE BODY VRF2	1,00			--
0002	S	PVVR40363		VALVE SEAT MV124 +OR	1,00			--
0003	S	PVVR40364		COUPLING MV124	1,00			--
0004	S	PVVR40365		SPACER MV124	1,00			--
0005	S	GUGO12322		O-RING D. 14 X 1.78 NBR 90SH	1,00			--
0006	S	GUVR40072		ANTI-EXTR.RING D. 6.5X 9.4	1,00			--
0007	S	GUGO83861		O-RING D. 6.07 X 1.78 NBR 90SH	1,00			--
0008	S	GUGO24913		O-RING D. 17.17 X 1.78 NBR 90SH	1,00			--
0009	S	PVVR40366		CONNECTOR VRF2 D.10	1,00			--
0010	S	GUGO03500		O-RING D. 6.75 X 1.78 NBR 70SH	1,00			--
0011	S	GUVR40073		ANTI-EXTR.RING D. 7.1X10 X1.2 TBT	1,00			--
0012	S	PVVR40367		SMALL PISTON D.10 VRF2	1,00			--
0013		PVVR40368		SPRING PLATE MV124 25B	1,00			--
0014		MLML40027		SPRING D. 3.0/6.0 X38.85	1,00			--
0015		PVVR40369		RING NUT MV167.09	1,00			--
0016		VTVT89696		SCREW EI-ST 4X 4 UNI5927 ZC	1,00			--
0017		PVVR40370		CAP VRF2 M18X1	1,00			--
0018	S	GUGO46053		O-RING D. 6 X 3 NBR 90SH	1,00			--
0019	S	PVVR40349		COUPLING VRT3	1,00			--
0020	S	MLML40026		SPRING VRT3	1,00			--
0021	S	GUGO12321		O-RING D. 15.6 X 1.78 NBR 90SH	1,00			--
0022		PVVR40350		CONNECTOR VRT3 G 3/8F	1,00			--
0023		GUGO11225		O-RING D. 10.78 X 2.62 NBR 70SH	1,00			--
0024		PVVR40373		CONNECTOR VRF2.24	1,00			--





Ref. Part N.	Cust. Part N.	Description	Reference	Price
KTRI40236	KIT P	14-103 VRF2	0002 0003 0004 0005 0006 0007 0008 0009 0010 0011 0012 0018 0019 0020	
			0021	--
KTRI40237	KIT P	14-104 SEAL VRF2	0002 0003 0005 0006 0007 0008 0010 0011 0018 0021	--